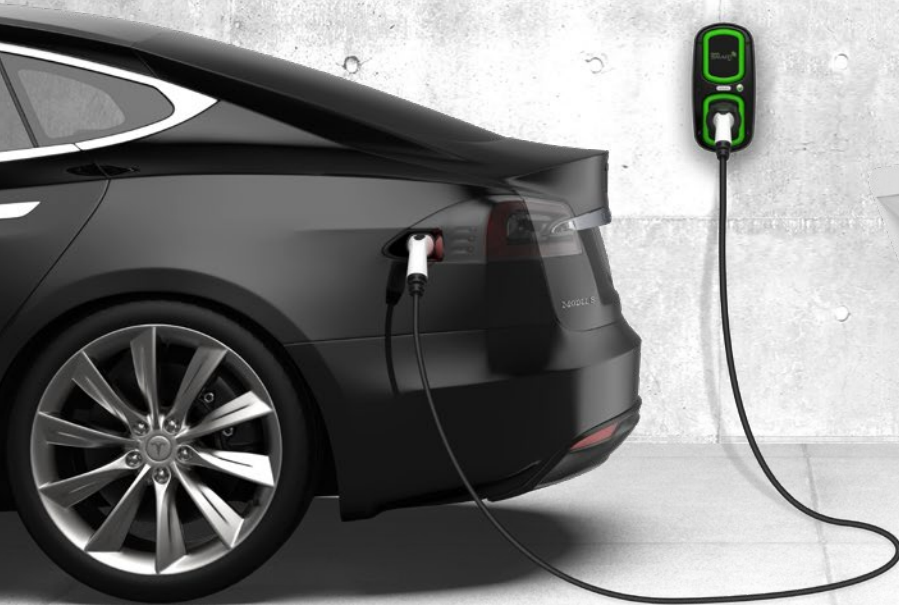


O-PEN:EV CONSUMER UNIT

ROLEC
EV Charging



Unit shown:
40A O-PEN:EV Consumer Unit

The O-PEN:EV consumer unit has been designed specifically to provide a safe and compliant alternative to an Earth electrode/rod when installing a domestic electric vehicle charging point.

This O-PEN consumer unit continually monitors the electrical system and in the event of a fault automatically disconnects all poles including the earth conductor (CPC).

Fully compliant with BS7671 18th edition wiring regulations and easy to install, this O-PEN consumer unit also provides the EV charge point with both Overload & 30mA Fault-Current protection by means of a Type A RCBO.

PRODUCT FEATURES

- IP40 rated Powder Coated metal consumer unit
- Available in 20A (16A charger) & 40A (32A charger) options
- BS7671 18th edition compliant
- Able to protect all types of EV charge points
- Built-in Type A RCBO providing overload & 30mA fault current protection
- Built-in electrical contactor
- No Earth Electrode/Rod Required

BENEFITS TO INSTALLERS

- Streamlines electric vehicle charge point connection
- Saves time during site survey
- Saves time with an easy wire in, wire out connection
- Removes risk of striking underground services
- A safe and reliable solution for installers
- Decreases the requirement for costly labour, construction and maintenance



Platinum Range
Switchgear



20A or 40A
Versions



IP40
Rated



No Earth Rod
Required



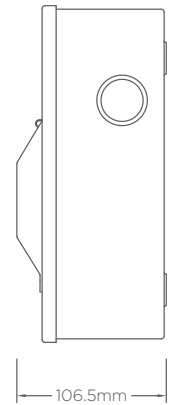
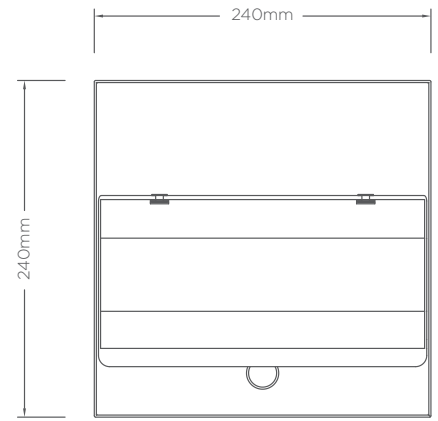
Suitable For All Single
Phase Installations



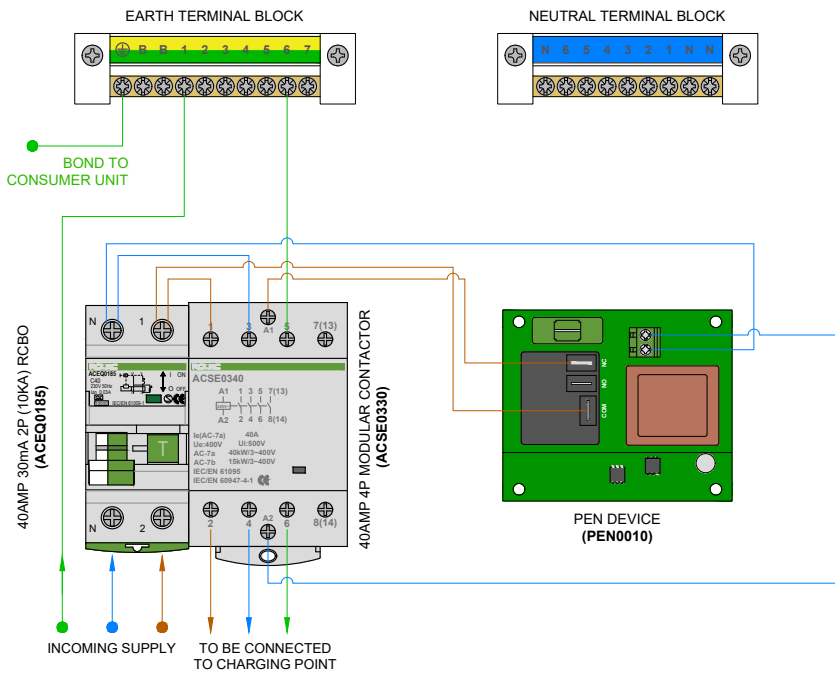
CE
Certified

SPECIFICATIONS

Product Code	EVIN0050	EVIN0060
Rated Current	20A	40A
Input Voltage	230V AC/50-60Hz (Single Phase)	
Overload & Fault Current Protection	Built-in 20A, 30mA Type A RCBO	Built-in 40A, 30mA Type A RCBO
Earthing	PME Fault Detection	
Number of Ways	8	
Terminals	≥16mm	
Certifications & Compliances	Low Voltage Directive (LVD) - 2014/35/EU	
	Environmental Protection - BS EN 60529:1992+A2:2013	
	RCBO - IEC 61009-1:2010+A1+A2+A11+A12, IEC 61009-2-2:1991	
	Contactor - IEC 60947-4-1:2018, IEC 61095:2009, IEC 61009-1:2010+A1+A2+A11+A12, LVD 2014/35/EU	
	Enclosure - EN 55014: 2006+A1: 2009+A2: 2011, EN 60335-1:2012+A11:2014	
	Cables - BS6004	
CE	RoHS - 2011/65/EU	
	REACH - 1907/2006	
Dimensions	240mm x 240mm x 106.5mm (W x H x D)	
Enclosure	Epoxy polyester powder coated steel	
Environmental	IP40 rated, for indoor use ONLY.	
Mass (AVG)	≤ 3.5kg	
Operating Temperature	-25°C to +55°C	
Standard Colour	Grey	



WIRING SCHEMATIC



Images are for marketing purposes only and are not contractual © 2020



Head office contact:
t: +44 (0) 1205 724754
f: +44 (0) 1205 724876
rolec@rolecserv.co.uk

Rolec Services Ltd
Ralphs Lane, Frampton West
Boston, Lincolnshire
UK. PE20 1QU

@RolecEV
/Rolec-Services
www.rolecserv.com

EVOPCUD-V01-R1 O-Pen Consumer Unit - Data Sheet